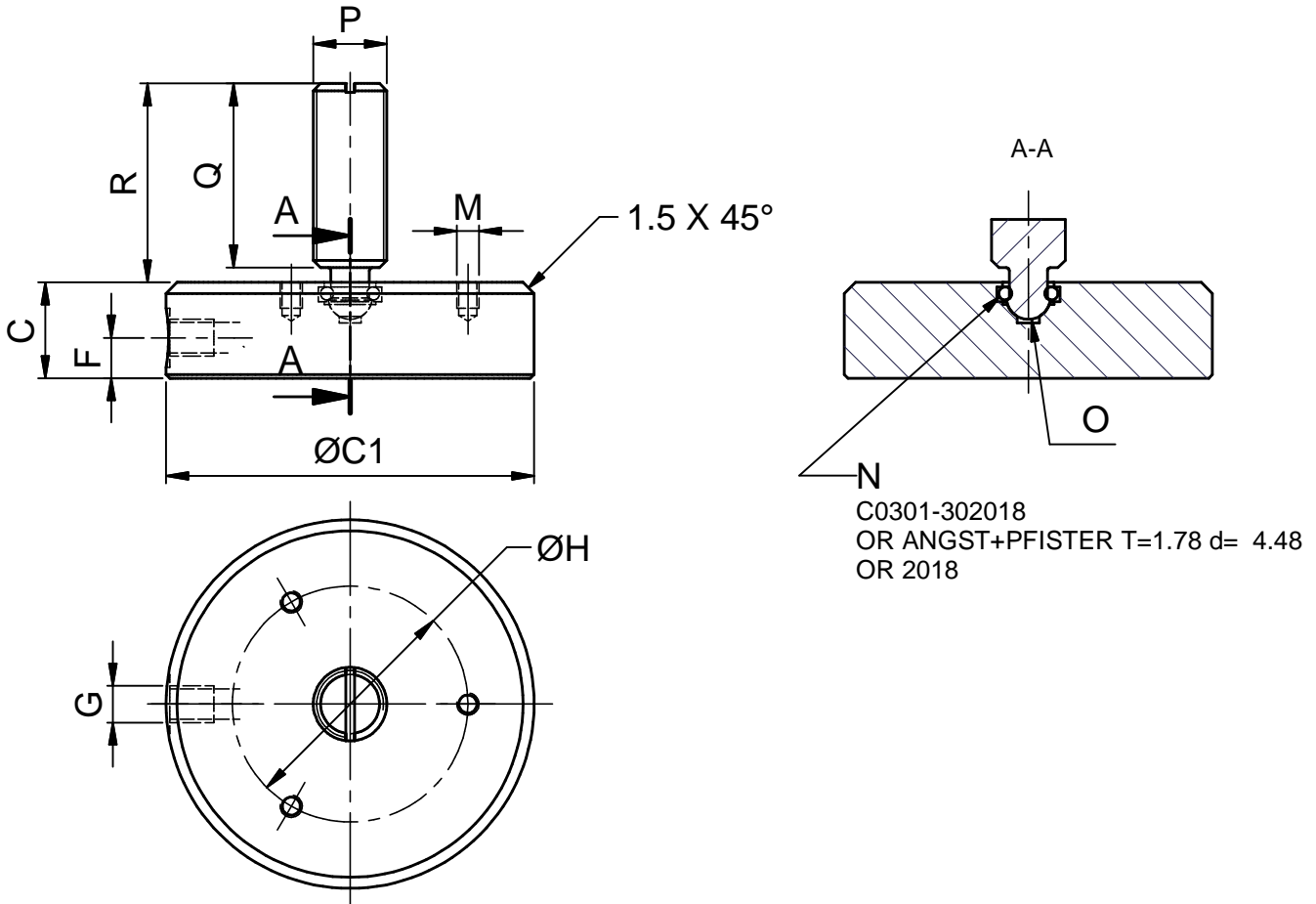
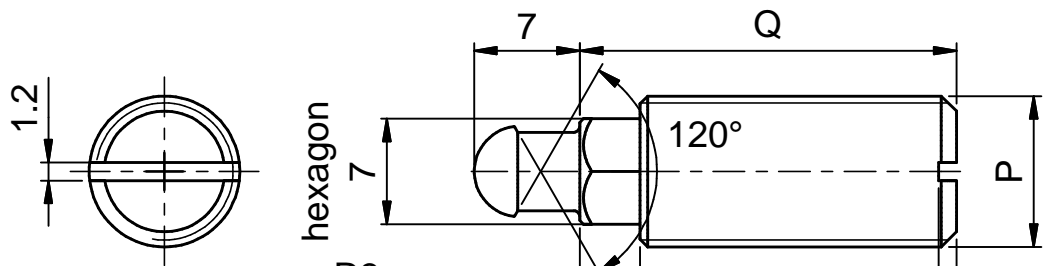


MOD / code	A	B	C	C1	D	E	F	G	H	I	L	M	N	O	P	Q	R	S
HPC1.0 F0102-00P010	-	-	12	40	-	-	5.5	M5x0.8x6	32	-	-	M3x0.5x3.5	OR.2018	6s	M10x0.75	25	27	-
HPC1.2 F0102-00P020	-	-	13	50	-	-	5.5	M5x0.8x6	36	-	-	M3x0.5x3.5	OR.2018	6s	M10x0.75	25	27	-



SL101-200115  
PIVOT 06 S thread M10xL25  
with hexagon



SL101-200110  
PIVOT 06 S thread M10xL25  
standard

