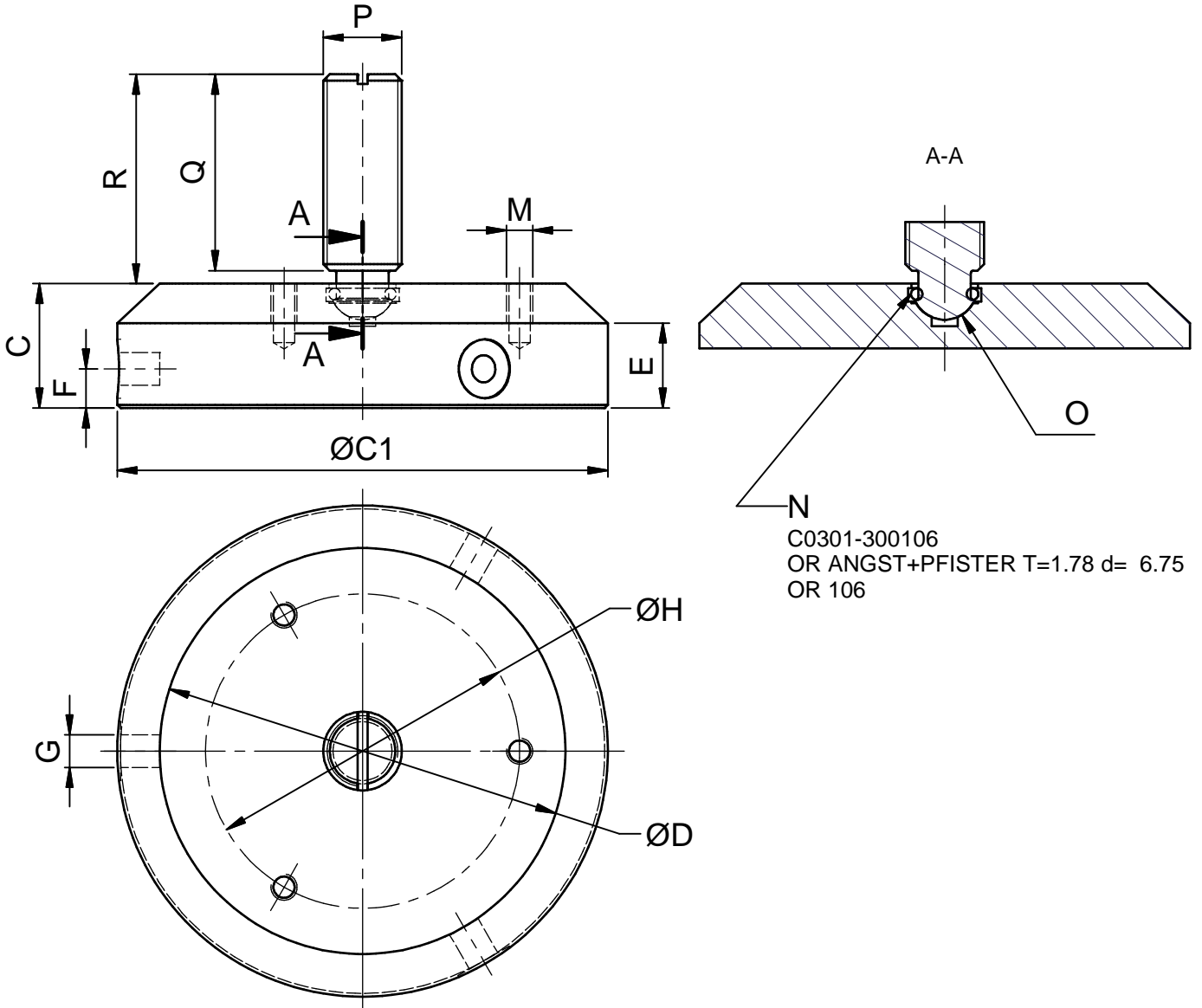


MOD / code	A	B	C	C1	D	E	F	G	H	I	L	M	N	O	P	Q	R	S
HPC2.0 F0102-00P030	-	-	16	60	54	13	6	M5x0.8x6	44	-	-	M3x0.5x4	OR.106	10m	M12x1	30	32	-
HPC2.2 F0102-00P040	-	-	16	70	62	13	6	M5x0.8x6	44	-	-	M3x0.5x4	OR.106	10m	M12x1	30	32	-
HPC2.4 F0102-00P050	-	-	19	75	62	13	6	M5x0.8x6	48	-	-	M4x0.7x6	OR.106	10m	M12x1	30	32	-
HPC2.6 F0102-00P060	-	-	19	80	66	13	6	M5x0.8x6	48	-	-	M4x0.7x6	OR.106	10m	M12x1	30	32	-



SL101-200020
PIVOT 10 M
thread M12xL30
standard

