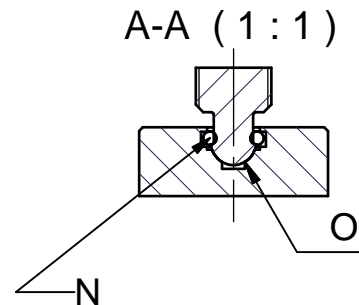
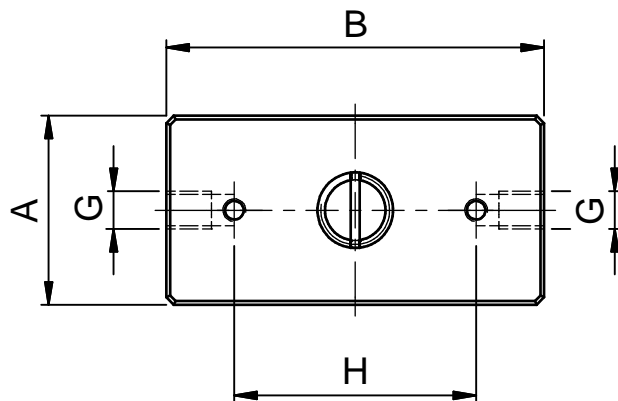
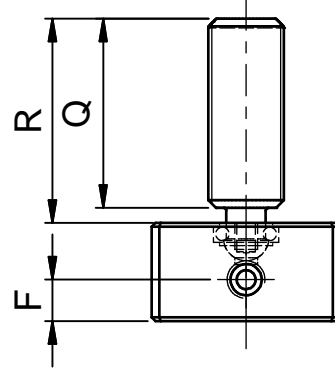
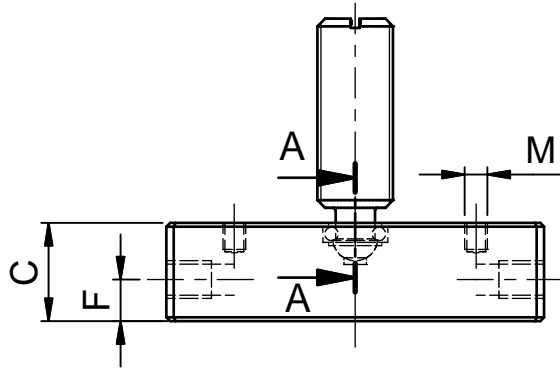
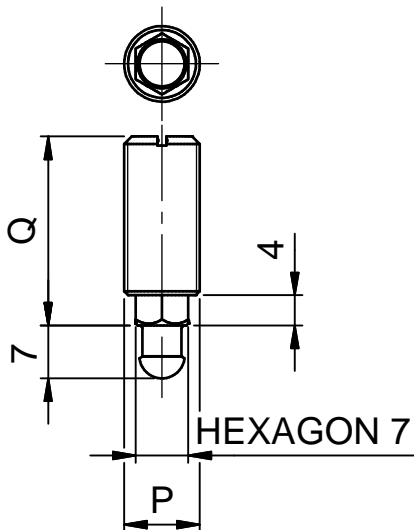


MOD / code	A	B	C	C	D	E	F	G	H	I	L	M	N	O	P	R	Q	S
HPR1.0 F0101-00P010	20	45	13	-	-	-	5,5	M5x0.8x6	32	-	-	M3x0.5x3.5	OR.2018	6s	M10x0.75	27	25	-
HPR1.2 F0101-00P020	25	50	13	-	-	-	5,5	M5x0.8x6	32	-	-	M3x0.5x3.5	OR.2018	6s	M10x0.75	27	25	-
HPR1.4 F0101-00P030	30	60	13	-	-	-	5,5	M5x0.8x6	40	-	-	M3x0.5x3.5	OR.2018	6s	M10x0.75	27	25	-

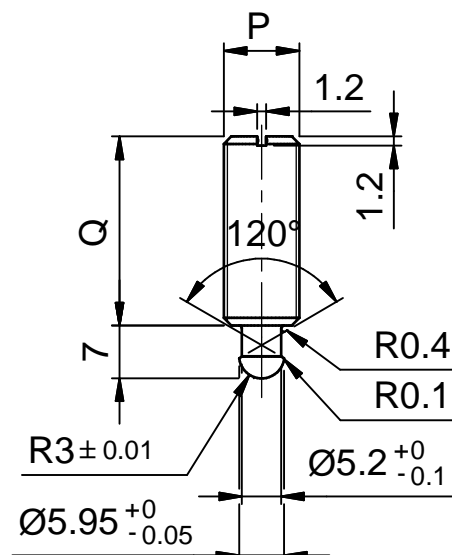


C0301-302018
OR ANGST+PFISTER T=1.78 d= 4.48
OR 2018

SL101-200115
PIVOT 06 S THREAD M10xL25 WITH HEXAGON



SL101-200110
PIVOT 06 S THREAD M10xL25 STANDARD



Ø5.95⁺⁰_{-0.05}