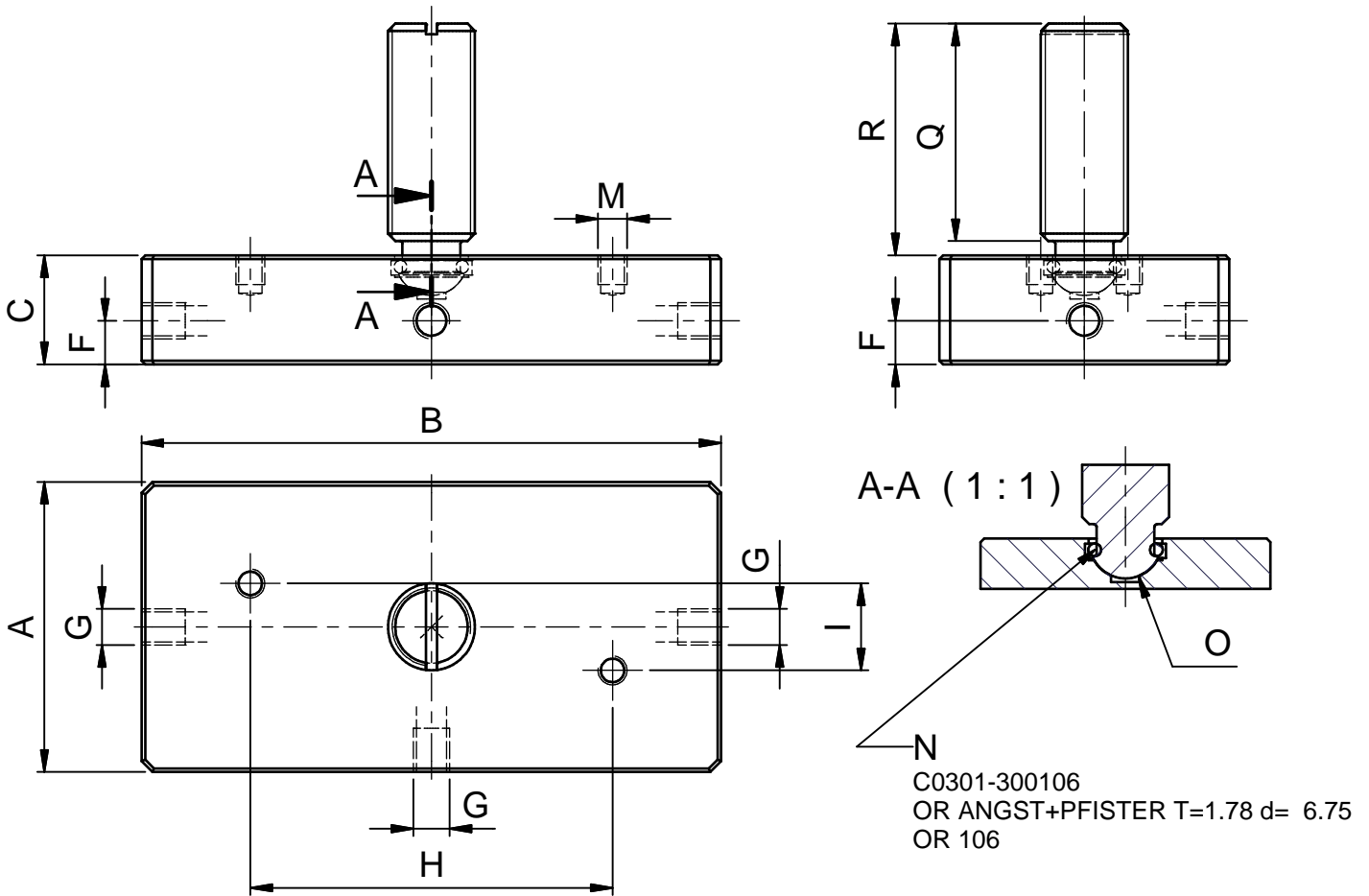


MOD / code	A	B	C	C1	D	E	F	G	H	I	L	M	N	O	P	Q	R	S
HPR2.0 F0101-00P040	30	68	15	-	-	-	6	M5x0.8x6	50	12	-	M4x0.7x4	OR.106	10m	M12x1	30	32	-
HPR2.2 F0101-00P050	35	70	15	-	-	-	6	M5x0.8x6	50	12	-	M4x0.7x4	OR.106	10m	M12x1	30	32	-
HPR2.4 F0101-00P060	40	80	15	-	-	-	6	M5x0.8x6	50	12	-	M4x0.7x4	OR.106	10m	M12x1	30	32	-
HPR2.6 F0101-00P070	40	90	15	-	-	-	6	M5x0.8x6	60	12	-	M4x0.7x4	OR.106	10m	M12x1	30	32	-
HPR2.8 F0101-00P080	50	90	15	-	-	-	6	M5x0.8x6	60	12	-	M4x0.7x4	OR.106	10m	M12x1	30	32	-



SL101-200020  
 PIVOT 10 M THREAD M12xL30 STANDARD

